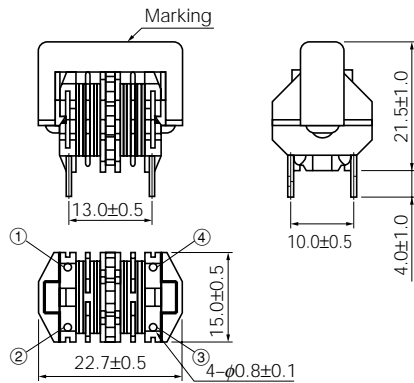


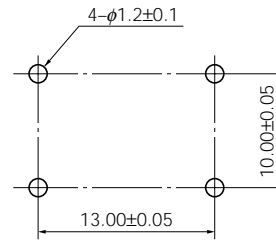
Series N, High N

Type 15N, 17N

Dimensions in mm (not to scale)



Recommended PWB piercing plan



Standard Parts (Series N : 15N)

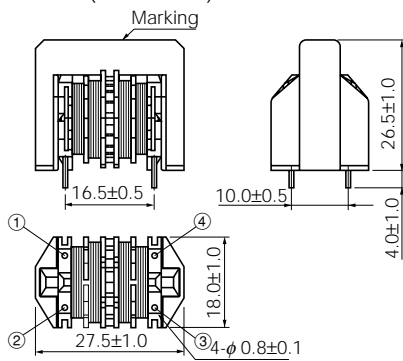
Standard Parts (Series High N : 17N)

Part No.	Marking	Inductance (mH) min.	*R _{DC} (Ω) [at 20 °C] (Tol ±20 %)	Current (A rms) max.	Part No.	Marking	Inductance (mH) min.	*R _{DC} (Ω) [at 20 °C] (Tol ±20 %)	Current (A rms) max.
ELF15N002A	104 02	104.0	7.543	0.2	ELF17N002A	· 144 02	142.0	7.543	0.2
ELF15N003A	433 03	43.0	3.154	0.3	ELF17N003A	· 603 03	60.0	3.154	0.3
ELF15N004A	263 04	26.0	1.966	0.4	ELF17N004A	· 353 04	35.0	1.966	0.4
ELF15N005A	193 05	19.0	1.324	0.5	ELF17N005A	· 263 05	26.0	1.324	0.5
ELF15N006A	123 06	12.0	0.933	0.6	ELF17N006A	· 163 06	16.0	0.933	0.6
ELF15N007A	103 07	10.0	0.762	0.7	ELF17N007A	· 143 07	14.0	0.762	0.7
ELF15N008A	682 08	6.8	0.548	0.8	ELF17N008A	· 922 08	9.2	0.548	0.8
ELF15N010A	532 10	5.3	0.369	1.0	ELF17N010A	· 722 10	7.2	0.369	1.0
ELF15N011A	402 11	4.0	0.308	1.1	ELF17N011A	· 542 11	5.4	0.308	1.1
ELF15N013A	272 13	2.7	0.202	1.3	ELF17N013A	· 372 13	3.7	0.202	1.3
ELF15N015A	212 15	2.1	0.170	1.5	ELF17N015A	· 292 15	2.9	0.170	1.5
ELF15N017A	172 17	1.7	0.126	1.7	ELF17N017A	· 232 17	2.3	0.126	1.7
ELF15N022A	102 22	1.0	0.078	2.2	ELF17N022A	· 132 22	1.3	0.078	2.2
ELF15N030A	601 30	0.6	0.052	3.0	ELF17N030A	· 801 30	0.8	0.052	3.0

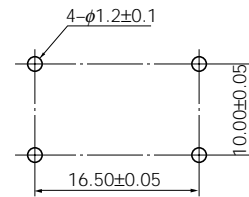
* DC Resistance

Type 18N, 19N

Dimensions in mm (not to scale)



Recommended PWB piercing plan



Standard Parts (Series N : 18N)

Standard Parts (Series High N : 19N)

Part No.	Marking	Inductance (mH) min.	*R _{DC} (Ω) [at 20 °C] (Tol ±20 %)	Current (A rms) max.	Part No.	Marking	Inductance (mH) min.	*R _{DC} (Ω) [at 20 °C] (Tol ±20 %)	Current (A rms) max.
ELF18N004A	803 04	80.0	2.720	0.4	ELF19N004A	· 993 04	99.0	2.720	0.4
ELF18N005A	503 05	50.0	1.680	0.5	ELF19N005A	· 623 05	62.0	1.680	0.5
ELF18N006A	353 06	35.0	1.100	0.6	ELF19N006A	· 433 06	43.0	1.100	0.6
ELF18N008A	203 08	20.0	0.670	0.8	ELF19N008A	· 253 08	25.0	0.670	0.8
ELF18N010A	153 10	15.0	0.465	1.0	ELF19N010A	· 193 10	19.0	0.465	1.0
ELF18N012A	952 12	9.5	0.300	1.2	ELF19N012A	· 123 12	12.0	0.300	1.2
ELF18N016A	602 16	6.0	0.185	1.6	ELF19N016A	· 742 16	7.4	0.185	1.6
ELF18N020A	422 20	4.2	0.130	2.0	ELF19N020A	· 512 20	5.1	0.130	2.0
ELF18N025A	242 25	2.4	0.080	2.5	ELF19N025A	· 302 25	3.0	0.080	2.5
ELF18N032A	142 32	1.4	0.045	3.2	ELF19N032A	· 172 32	1.7	0.045	3.2

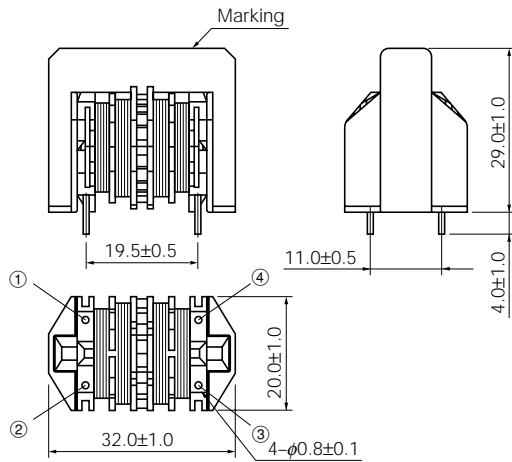
* DC Resistance

Design and specifications are each subject to change without notice. Ask factory for the current technical specifications before purchase and/or use. Should a safety concern arise regarding this product, please be sure to contact us immediately.

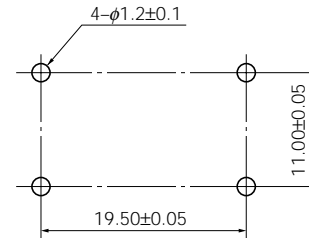
Series N, High N

Type 20N, 21N

Dimensions in mm (not to scale)



Recommended PWB piercing plan



Standard Parts (Series N : 20N)

Part No.	Marking	Inductance (mH) min.	*R _{DC} (Ω) [at 20 °C] (Tol ±20 %)	Current (A rms) max.
ELF20N006A	693 06	69.0	1.250	0.6
ELF20N008A	433 08	43.0	0.770	0.8
ELF20N010A	283 10	28.0	0.500	1.0
ELF20N013A	183 13	18.0	0.317	1.3
ELF20N015A	143 15	14.0	0.240	1.5
ELF20N016A	123 16	12.0	0.212	1.6
ELF20N018A	752 18	7.5	0.160	1.8
ELF20N020A	702 20	7.0	0.134	2.0
ELF20N022A	622 22	6.2	0.111	2.2
ELF20N024A	492 24	4.9	0.094	2.4
ELF20N027A	472 27	4.7	0.082	2.7
ELF20N030A	292 30	2.9	0.056	3.0
ELF20N035A	202 35	2.0	0.044	3.5
ELF20N040A	152 40	1.5	0.033	4.0

Standard Parts (Series High N : 21N)

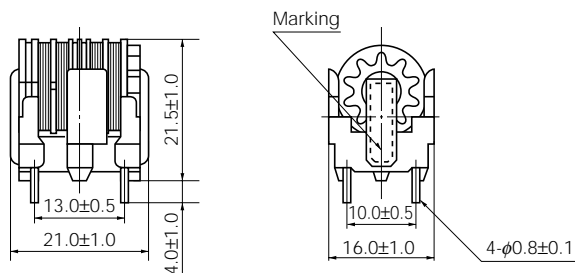
Part No.	Marking	Inductance (mH) min.	*R _{DC} (Ω) [at 20 °C] (Tol ±20 %)	Current (A rms) max.
ELF21N006A	· 873 06	87.0	1.250	0.6
ELF21N008A	· 543 08	54.0	0.770	0.8
ELF21N010A	· 363 10	36.0	0.500	1.0
ELF21N013A	· 223 13	22.0	0.317	1.3
ELF21N015A	· 183 15	18.0	0.240	1.5
ELF21N016A	· 153 16	15.0	0.212	1.6
ELF21N018A	· 942 18	9.4	0.160	1.8
ELF21N020A	· 872 20	8.7	0.134	2.0
ELF21N022A	· 782 22	7.8	0.111	2.2
ELF21N024A	· 612 24	6.1	0.094	2.4
ELF21N027A	· 582 27	5.8	0.082	2.7
ELF21N030A	· 372 30	3.7	0.056	3.0
ELF21N035A	· 252 35	2.5	0.044	3.5
ELF21N040A	· 192 40	1.9	0.033	4.0

* DC Resistance

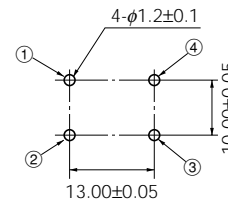
Series V

Type 290

Dimensions in mm (not to scale)



Recommended PWB piercing plan



Standard Parts

Part No.	Marking	Inductance (mH) min.	*R _{DC} (Ω) [at 20 °C] (Tol ±20 %)	Current (A rms) max.	Part No.	Marking	Inductance (mH) min.	*R _{DC} (Ω) [at 20 °C] (Tol ±20 %)	Current (A rms) max.
ELF18D290H	290H	33.00	2.691	0.3	ELF18D290R	290R	3.90	0.305	1.0
ELF18D290C	290C	22.00	1.707	0.4	ELF18D290S	290S	3.30	0.277	1.1
ELF18D290A	290A	18.00	1.271	0.5	ELF18D290E	290E	2.70	0.248	1.1
ELF18D290G	290G	10.00	0.782	0.6	ELF18D290T	290T	2.20	0.186	1.3
ELF18D290L	290L	8.20	0.681	0.6	ELF18D290V	290V	1.80	0.162	1.5
ELF18D290P	290P	6.80	0.571	0.7	ELF18D290D	290D	1.20	0.119	1.6
ELF18D290M	290M	5.60	0.504	0.8	ELF18D290B	290B	0.82	0.072	2.0

* DC Resistance

Design and specifications are each subject to change without notice. Ask factory for the current technical specifications before purchase and/or use. Should a safety concern arise regarding this product, please be sure to contact us immediately.